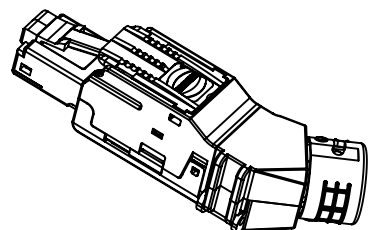
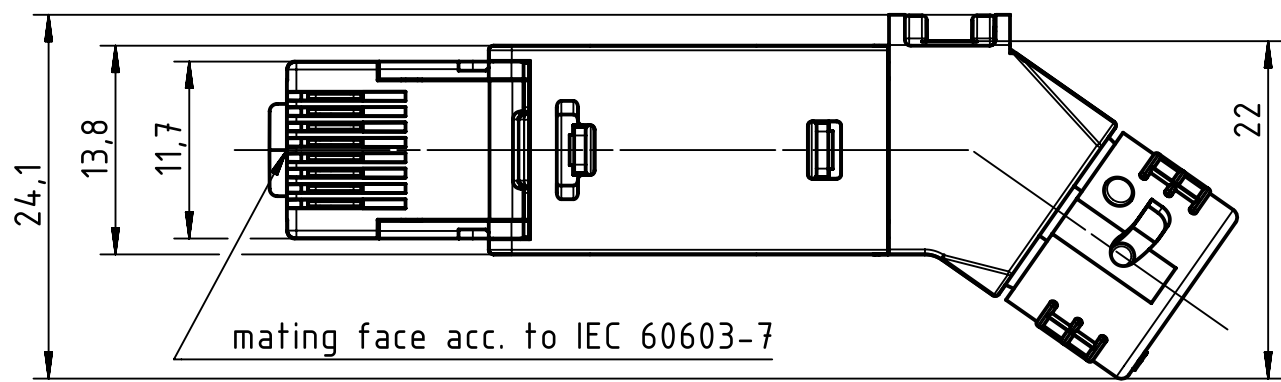


1 2 3 4 5 6

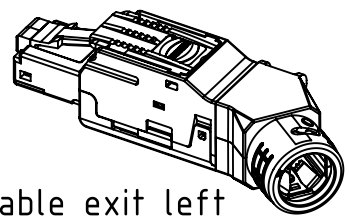
A



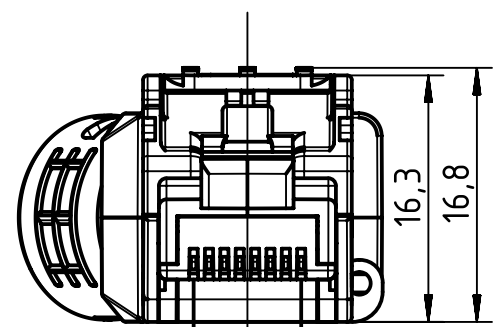
cable exit right



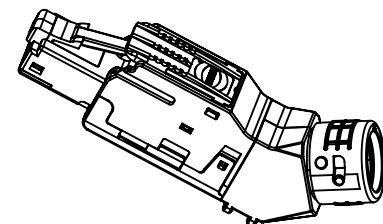
B



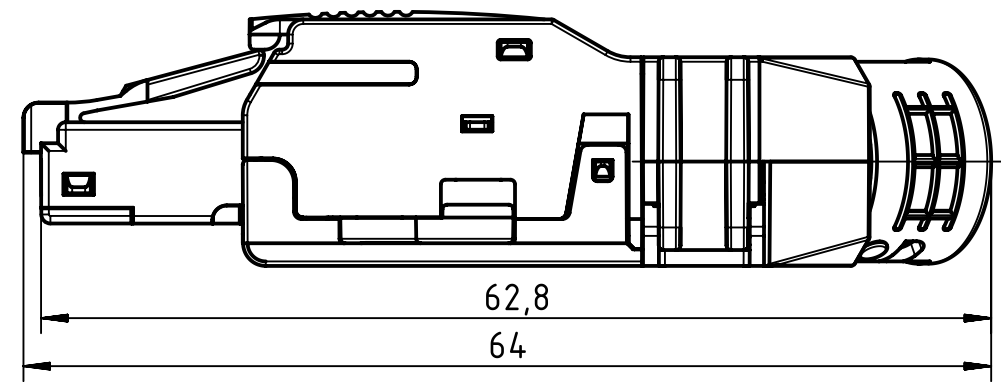
cable exit left



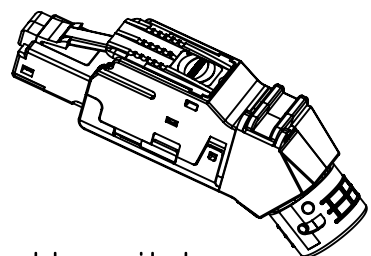
C



cable exit bottom



D



cable exit top

1 piece packed in a box

Coating		A=	mm <sup>2</sup>	V=	mm <sup>3</sup>	m=	g	Mat.
All Dimensions in mm Original Size DIN A4		Scale	2:1		Free size tol.			Ref.
All rights reserved Department EL PD		Created by	PREOTU		Inspected by	PRIESTER		Date
HARTING Electronics GmbH D-32339 Espelkamp		Title		RJ45 MF RJ45 plug Cat6A, 8p IDC angl. 35°			State	
		Type	TB		Number			09451511572
		Doc-Key / ECM-Nr.		100877927/UGD/000/A			500000166340	
		Rev.		A			Page	
							1/1	